



中国认可
国际互认
检测
TESTING
CNAS L0888



2014110142Z
有效期:2017年10月07日止
浙江省质量技术监督局核发



(2014)浙质监验字 142 号
有效期:2017年10月07日止
浙江省质量技术监督局核发



Wenzhou Institute of Calibration and Testing for Quality and
Technical Supervision
National Technology Testing Center for Financial
Equipment & Components

Test report

Report No.: FLH16050235

Page 1 of 3 pages

Name of sample(s)	PIEZO SWITCH	Model:	PZS22 22mm
Client	YUEQING LANGIR ELECTRIC CO.,LTD.	Report No.:	FLH16050235
Address	——	Quantity of sample(s)	10 pc (s)
Tel. of client	——	Type of sampling	Consigned
Location of test	31# block, China Shoe Capital	Date of receipt	2016-05-17
Test item	See page3	Date(s) of test	2016-05-17~2016-05-20
Reference for test	GB/T 17626.2-2006/IEC 61000-4-2:2001	Test category	Consigned
Test result	Tested according to the requirements of client and reference, the test results were found to be in accordance with the requirements of the standard . Date of issue: 20160520		
Annotation	——		



Approved by: 杨立委

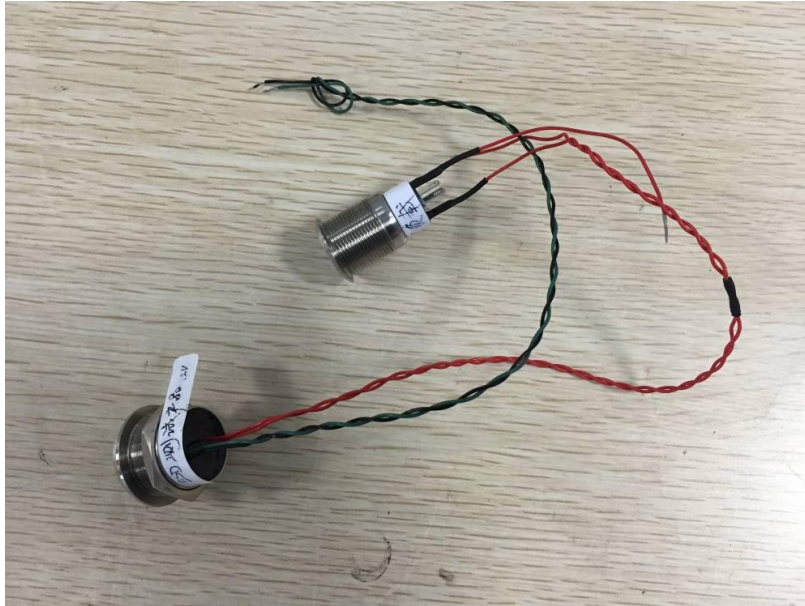
Verified by: 陈建宝

Compiled by: 何鹏程

Product Appearance Inspection

Manufacturer	—	Address	—
Model	—	Trademark/ Mark	—/—
Date of manufacture	—	Sample level	—
Remark	Sample condition: Finished.		

Photo of EUT

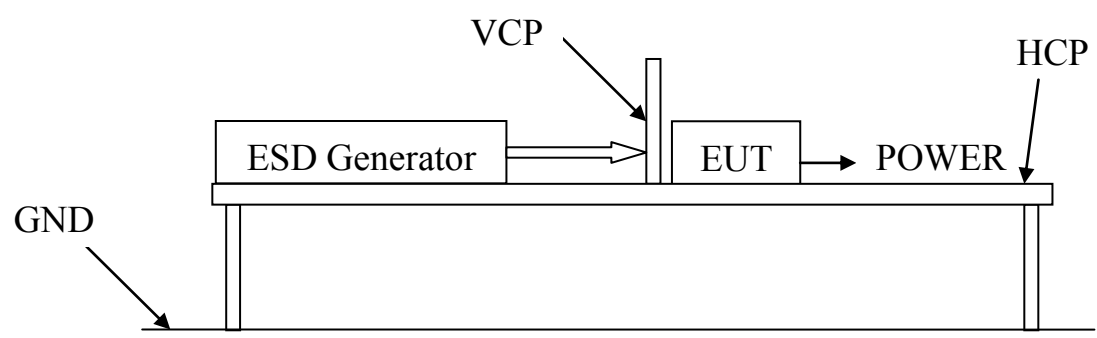


9.3. Electrostatic discharge (ESD) immunity test

Test setup: (Text and/or Figure)

--Contact Discharge: ±8kV, 10 times for each point positive 10 times and negative 10 times discharge were applied to the EUT. All the procedure shall be same as air discharge except that the tip of the discharge electrode shall touch the EUT before the discharge switch is operated.

--Air Discharge: ±15kV, 10 times air discharges for each pre-selected point were applied to the EUT. This test was done on a non-conductive surface. After each discharge, the discharge electrode was removed from the EUT. The generator was then re-triggered for a new single discharge and repeated 10 times for each point.



Test equipment	Model	Serial NO.	Calibration Due Date
ESD Generator	ESD30N	KS203-2	2016-06-29

EUT operating mode and setup:

1. Power supply: DC12V;
2. The EUT is operated in normal mode.

Performance criterion: B

Location	Kind of discharge A—Air discharge C—Contact discharge	Standard requirement	Observation (Performance criterion):
button	A	15kV	—
Slot	A	15kV	A
enclosure	A	15kV	A
HCP	C	8kV	A
VCP of the front	C	8kV	A
VCP of the rear	C	8kV	A
VCP of the left	C	8kV	A
VCP of the right	C	8kV	A

Result: Pass