

BIG Current Vandal Resistant Switch $\Phi 19\text{mm}$



Big range current:

3A 5A 8A 10A (15A)16A 20A(21A)

Snap action, compact design, suit for small space

Variety Of Colors

Anti-Vandal IK09/ Sealed IP65

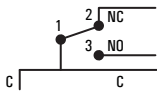
Illuminated and Non-Illuminated

Order Code

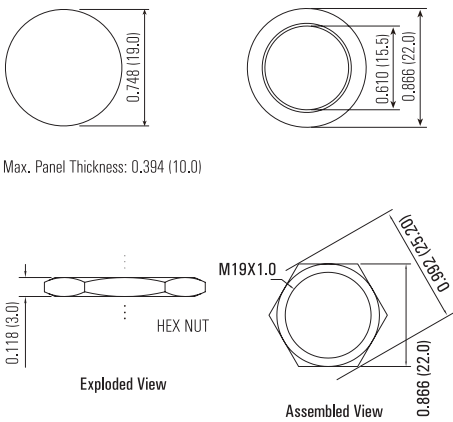
Series	Actuator Options	Terminal	Function	Current Voltage	Material Finish	Illuminated Options	Color	Color Voltage	Marking Current
L19B	F- Flat blank	6.35X0.8(250) quick connect terminal (T=0.8) blank	M- Momentary 1 1NO (SPST) 2 1NC (SPST) 3 1NO1NC (SPDT) Z- Latching 1 1NO (SPST) 2 1NC (SPST) 3 1NO1NC (SPDT)	02- 2.5A 03- 3A 05- 5A 08- 8A 10- 10A 16- 16A 21- 21A D6- 0.6A/ 125VDC D3- 0.3A/ 250VDC	S- Stainless Steel	D- Dot R- Ring Non-Illuminated blank	W- White Y- Yellow B- Blue G- Green R- Red O- Orange	6V 12V 24V 36V 110V 230V	Custom Markings Available



Operation

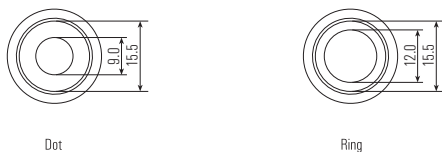


Suggested Panel Cutout



Max. Panel Thickness: 0.394 (10.0)

Illuminated



Technical Data

Type	L19B-F	L19B-F/R	L19B-F/D
Illuminated Options	Non-Illuminated	Ring	Dot
Terminal	PIN (6.35X0.8)		
Max. Switch Rating	3A 5A 8A 10A 15A(16A) 20A(21A)/ 250VAC, 125VAC 0.6A/ 125VDC 0.3A/ 250VDC		
Contact Resistance	$\leq 25\text{m}\Omega$		
Insulation Resistance	$\geq 100\text{m}\Omega$		
Dielectric Strength	Between non-consecutive terminals 1,000Vrms, 50/60Hz for 1min Between non-current carrying metal parts and each terminal 1,500Vrms, 50/60Hz for 1min Between ground and each terminal 1,500Vrms, 50/60Hz for 1min		
Shock resistance	Destruction: O.F.>0.5N: 1000m/s ² (approx. 100g), O.F. \leq 0.5N: 400m/s ² (approx. 40g) Malfunction: O.F.>0.5N: 200m/s ² (approx. 20g), O.F. \leq 0.5N: 100m/s ² (approx. 10g)		
Vibration Resistance	10 - 50Hz, 1.5mm Double Amplitude		
Ambient Temp.	-25 C ~ +85 C		
Mechanical Life	2,000,000cycles		
Electrical Life	50,000cycles		
Contact Material	Silver Alloy		
Torque	5 ~ 14Nm		
Operation Pressure	10N		
Protection	IP65/ IK09		
Material			
Actuator	Stainless Steel		
Body	Stainless Steel		
Color			
Type	LED		
Voltage	6V/ 12V/ 24V/ 36V/ 110V/ 230V		
Color	R G Y O B W		
Life	Approx. 40, 000hours		

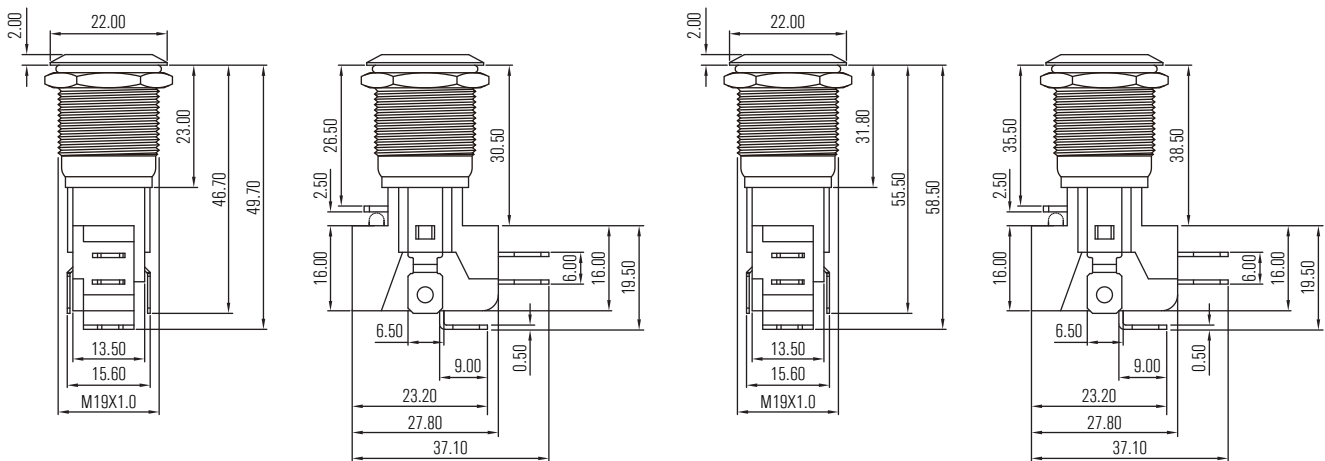
Terminal

端子种类 Terminal types	快接端子#250(t=0.8) Quick-connect terminal #187	端子尺寸 Dimensions
下公共端 Bottom common terminal		

Contact type

公共端类型 Common terminal types	转换式 SPDT	常闭式 SPST-NC	常开式 SPST-NO
公共端在底部 Bottom common terminal			

Dimension



MOMENTARY

LATCHING

© Copyright Yueqing LANGIR Electric Co.,Ltd. All Right Reserved.

Disclaimer: The appearance of the products listed on this catalogue, color, parameters are for reference only, issued a kind of LANGIR Electric Company shall prevail.

LANGIR Electric Company reserves the right to modify or cancel the relevant parameters of this catalogue does not advance notice. If in doubt, please contact your sales representative.



YUEQING LANGIR ELECTRIC CO., LTD

ADD: 4th, No. 188 Liuqing North Rd, Lishi, Yueqing, Zhejiang China 325604

FAX: 86 (577) 62737671

TEL: 86 (577) 62737672 62737670

E-mail: sunshine@sunshinele.com

Http://www.anti-vandal-switch.com www.piezo-switch.com