

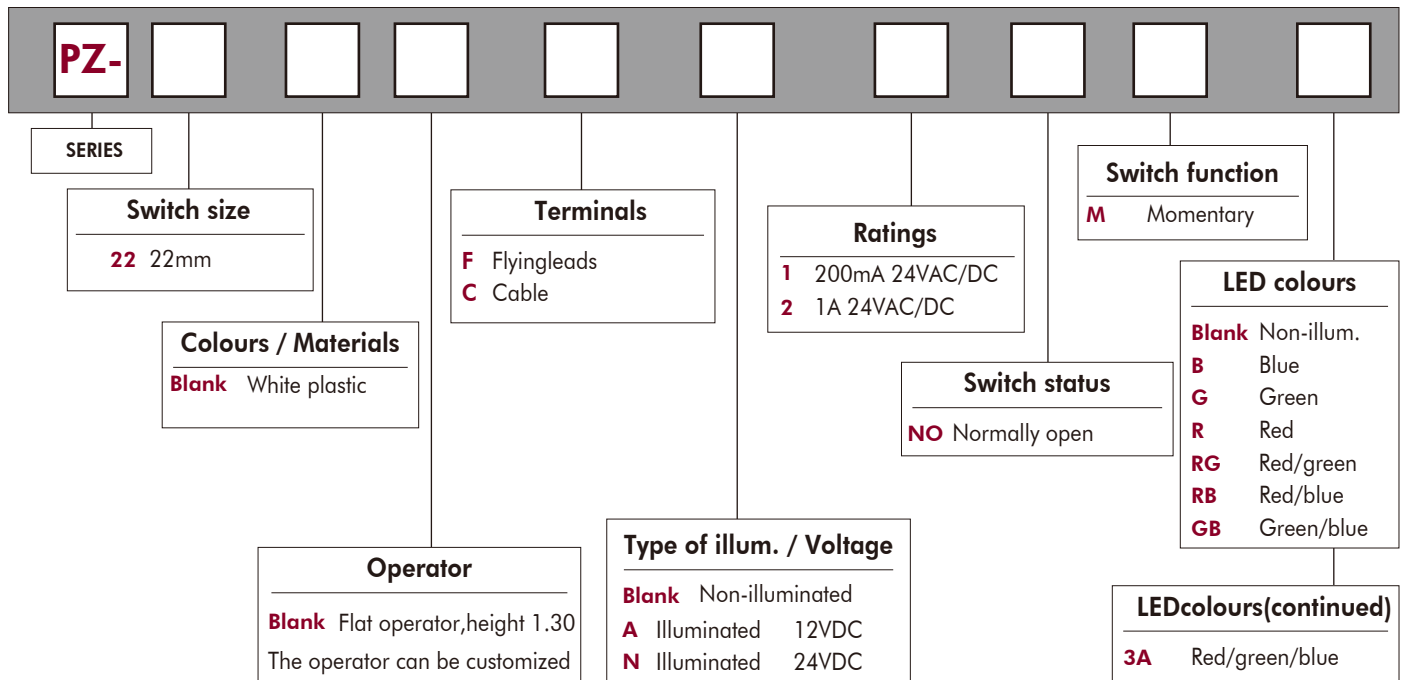
**langir**<sup>®</sup>  
**Piezo switch**  
[www.langir.com](http://www.langir.com)



**Leaders in Engineering, Innovation and Quality**  
**LANGIR brings Piezo Technology to perfection**

[www.langir.com](http://www.langir.com)

# Plastic piezo switch Ø 22(.866)



PIEZO SWITCH

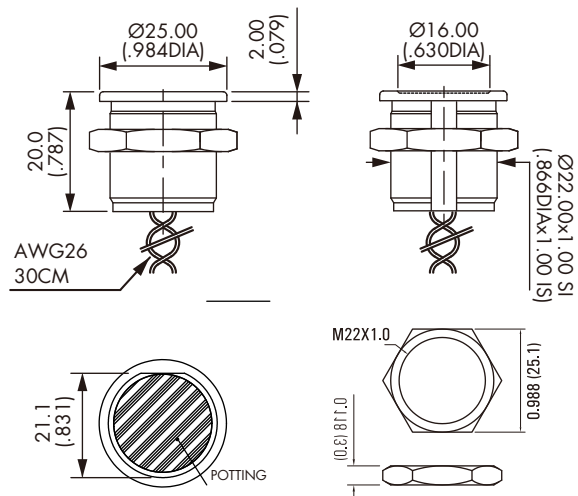
Plastic piezo switches offering rugged, sealed tamper and vandal proof solid state switching. Exceptional durability and reliability. Fitted with red, green and blue LED's for illumination.

- 25mm diameter actuator
- 22.2mm diameter mounting hole
- Normally open, momentary actio
- Make impulse time of 125-300 mse
- Recessed fac
- Wi e terminatio
- IP68 Seale
- available in 12V and 24V LED'

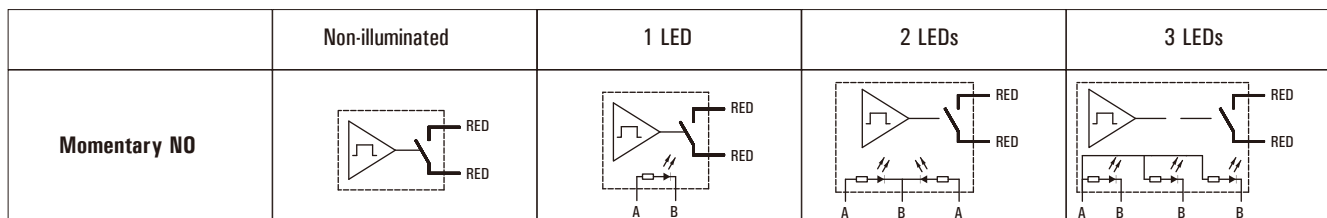
### SPECIFICATIONS

|                              |                          |       |
|------------------------------|--------------------------|-------|
| Operating voltage:           | 1-24V AC/DC              |       |
| Switching current            | 0.2A max                 |       |
| Actuation force              | 3-5N                     |       |
| Operating temperature        | 20°C to +70°C            |       |
| LED operating voltage        | 12V DC max OR 24V DC max |       |
| LED max current consumption: | (12V)                    | (24V) |
| Red                          | 18mA                     | 18mA  |
| Green                        | 9mA                      | 9mA   |
| Blue                         | 27mA                     | 16mA  |
| Ingress Protection           | IP69                     |       |
| Lifetime                     | 50 million operations    |       |
| Material                     | POM                      |       |

### DIMENSION



### Wiring diagrams



Legend: B = black, A = same colour as LED  
 \* LED colour is indicated by the bottom of the product.

©Copyright Langir Electric All Right Reserved.

Disclaimer: The appearance of the products listed on this catalogue, color, parameters are for reference only, issued a kind of Langir Electric Company shall prevail.

Langir Electric Company reserves the right to modify or cancel the relevant parameters of this catalogue does not advance notice. If in doubt, please contact your sales representative.



**YUEQING LANGIR ELECTRIC CO., LTD.**

ADD: 4F, NO. 188 LIUQING NORTH RD, LIUSHI, YUEQING, ZHEJIANG, CHINA 325604

FAX: 86 (577) 62737671

TEL: 86 (577) 62737672 62737670

MAIL: [langir@langir.com](mailto:langir@langir.com)

[Http://www.langir.com](http://www.langir.com)