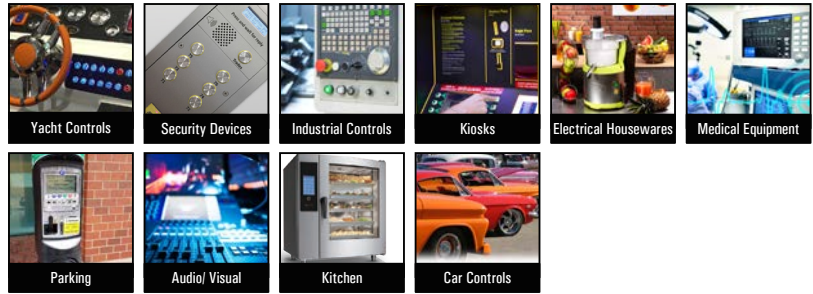


Anti vandal switch $\varnothing 22\text{mm}$



APPLICATIONS / MARKETS



ORDER CODE

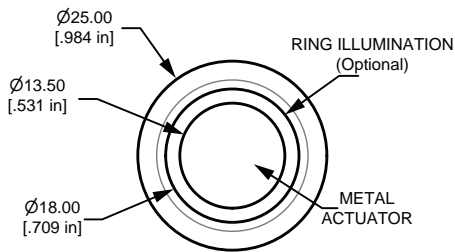
Series	Actuator Options	Terminal Options	Function Options	Material Options	Illumination Style Options	Led-Color Options	Illumination Voltage Options	Graphic Options
L22A	F- Flat	NONE- Solder-lug (2.8X0.5) N- Screw	M- Momentary 1- 1N01NC Z- Alternated 1- 1N01NC	S- Stainless steel	D- Dot illum. R- Ring illum. NONE- non-illum. X- Backlit Label Kit**	W- White Y- Yellow B- Blue G- Green R- Red O- Orange	NONE- Base Voltage* 3.3V 6V 12V 24V 36V 110V 220V	NONE- Non-marking LE- Laser etched

NOTES:
 * Base voltage on LEDs:
 1.8V @ 20mA for Red, Yellow and Orange LED colors / 2.8V @ 20mA for Blue, Green and White LED colors
 ** 5 ICON labels included, 5 icon labels included, Flat actuator only

TECHNICAL DATA

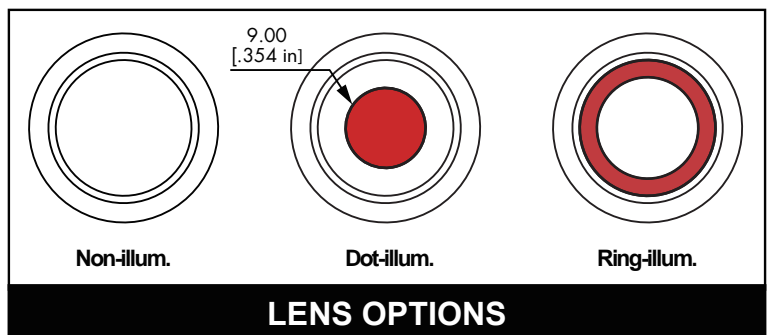
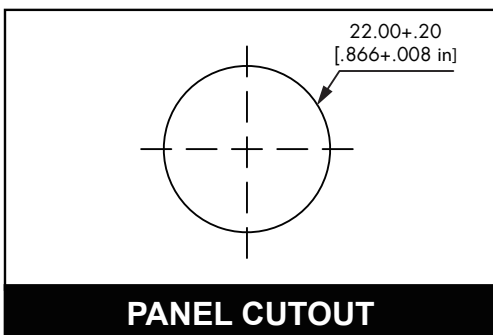
Type	L22A-F
Illuminated Options	Non-Illuminated/ Ring Illuminated/ Dot Illuminated/ Backlit label kit
Terminal	Screw and Solder lug (2.8X0.5)
Max. Switch Rating	Ith: 5A Ui: 250VAC
Contact Resistance	$\leq 50\text{m}\Omega$
Insulation Resistance	$\geq 1000\text{m}\Omega$
Dielectric Strength	2000VAC
Operation Temp	-20°C ~ +55°C
Mechanical Life	1,000,000 Cycles
Electrical Life	>50,000 Cycles
Contact Material	Silver Alloy
Torque	5 ~ 14Nm
Operation Pressure	approx. 8N
Protection	IP65/ IK10
Material	
Actuator	Stainless Steel
Body	Stainless Steel
Base	PA
Color	LED 3.3V/ 6V/ 12V/ 24V/ 36V/ 110V/ 220V R G Y O B W Approx. 40,000 hours

DESCRIPTION



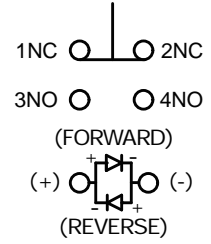
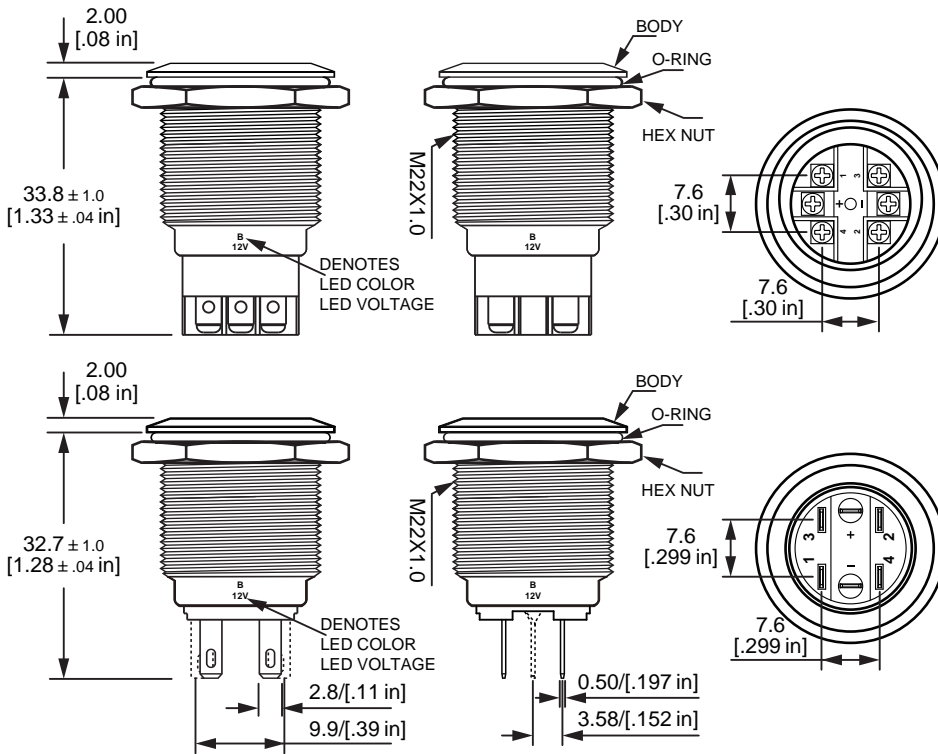
Panel Thickness:
 1-10mm for Momentary
 1-12mm for Alternated

PANEL CUTOUT & ILLUMINATED OPTIONS

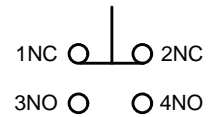


Anti vandal switch $\varnothing 22\text{mm}$

MOMENTARY



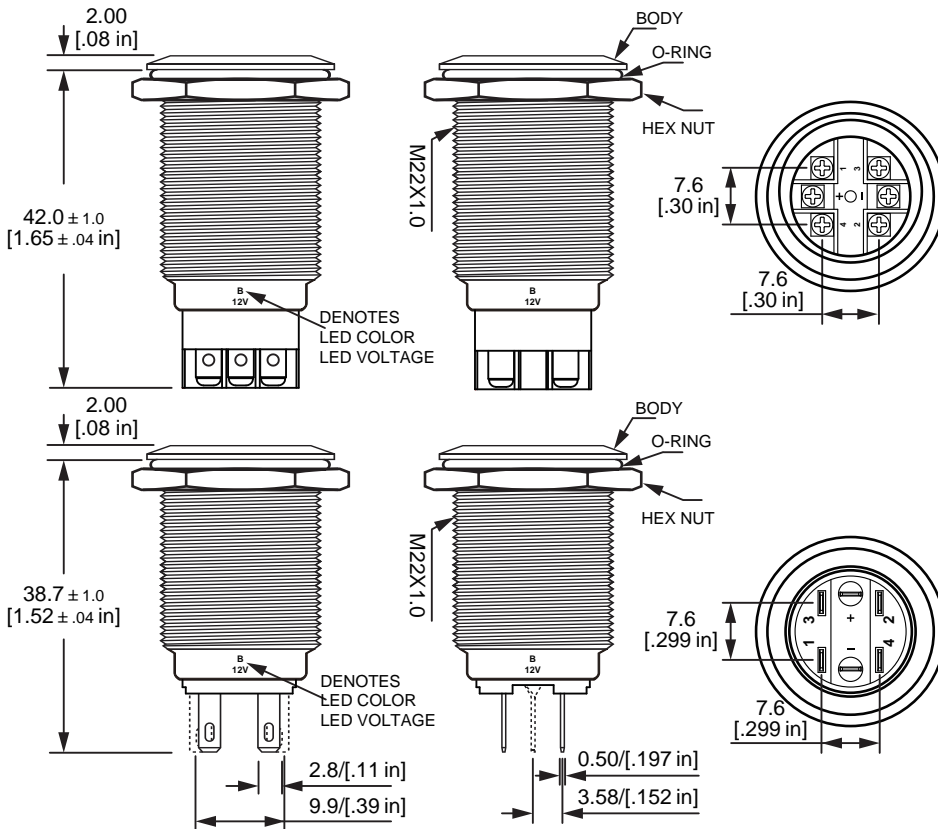
CONTACT CONFIGURATION
ILLUMINATED



CONTACT CONFIGURATION
NON-ILLUMINATED

FUNCTIONS

ALTERNATED



BL225

5 ICON labels included