

High-Current Anti Vandal Switch

Ø16mm Ø19mm



SPECIFICATIONS

Electrical Rating: 16A, 250VAC
Mechanical Life: 500,000 Cycles
Electrical Life: 50,000 Cycles
Contact Resistance: 50mΩ Max.
Insulation Resistance: 1500 MΩ /500V.DC 1Min.
Dielectric Strength: 2,000VAC
Operating/Storage Temperature: -20°C to 55°C
Travel: 3.50mm
Moisture Protection: IP67
Actuation Force: 4N
Panel Thickness: 1-5mm
Mounting Nut Torque: 5-14Nm

FEATURES & BENEFITS

- 16 or 19mm diameter panel cutout
- Max. 20A current
- Multiple function options
- Ring or power symbol illumination available
- IP67 rated
- Pin and Screw options
- Soldered wire leads (300mm long) optional

PART NUMBER CONFIGURATOR

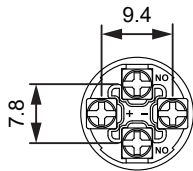
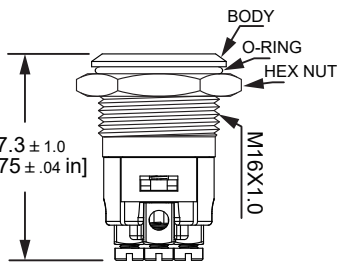
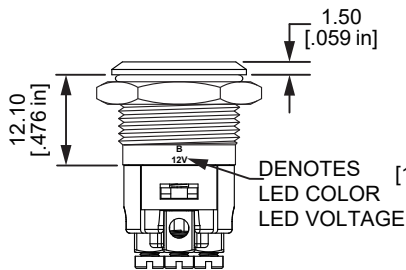
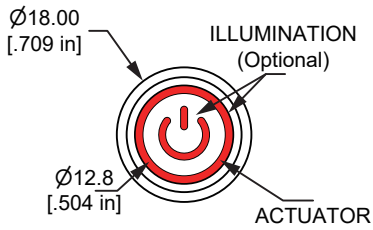
Series	Actuator Options	Terminal Options	Function Options	Material Options	Illumination Style Options	LED-Color Options	Illumination Voltage Options	Graphic (Optional)
<input type="checkbox"/> L16D - 16mm L19D - 19mm	<input type="checkbox"/> F - Flat	<input type="checkbox"/> NONE - Solder-lug (2.8x0.5) S - Screw C - Wire-leads 300mm long P - Plug connector	<input type="checkbox"/> M - Momentary 1- 1NO Z - Latching 1- 1NO	<input type="checkbox"/> S - Stainless Steel	<input type="checkbox"/> NONE - Non-Illuminated R - Ring Illumination PS - Power backlit symbol PY - Ring illum. & Power backlit symbol	<input type="checkbox"/> NONE - Non-Illuminated W - White R - Red O - Orange G - Green B - Blue Y - Yellow	<input type="checkbox"/> NONE - Non-Illuminated 1 - Base Voltage** 3.3V 6V 12V 24V 36V 110V 220V	<input type="checkbox"/> NONE - Non-Illuminated LE - Laser etched

NOTES:
 * Base voltage on LEDs:
 1.8V @ 20mA for Red, Yellow and Orange LED colors
 2.8V @ 20mA for Blue, Green and White LED colors

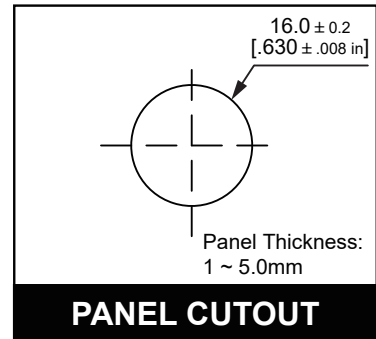
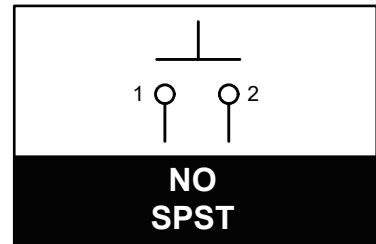
Specifications subject to change without notice

High-Current Anti Vandal Switch Ø16mm

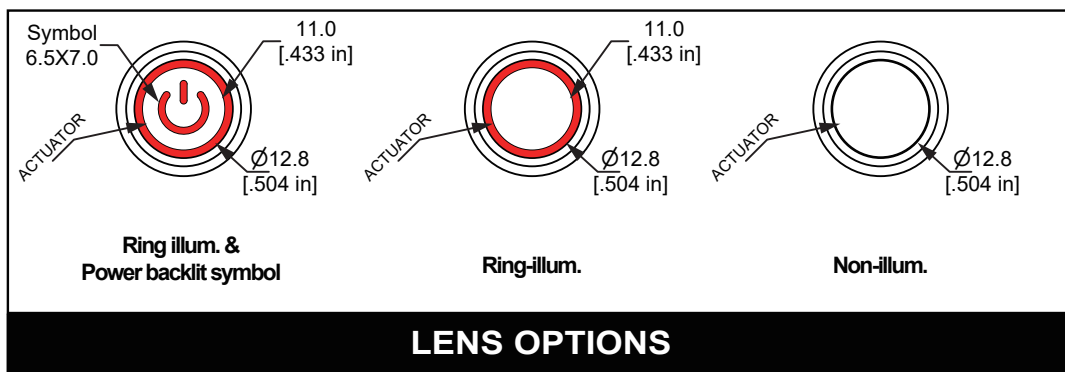
SCREW



NO = Normally open
Terminals (-) and (+) used with Illum. option only

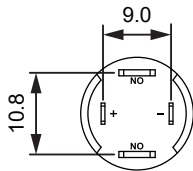
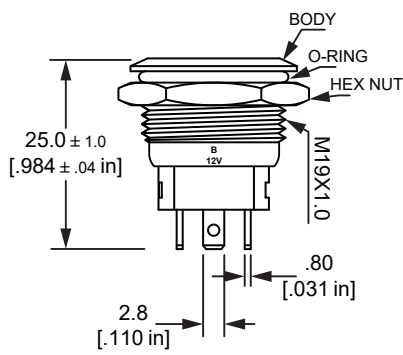
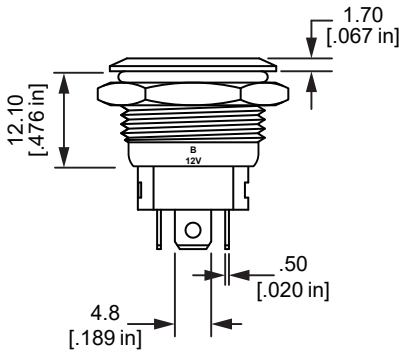
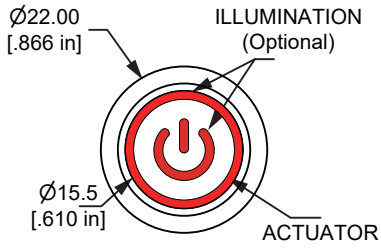


ILLUM. OPTIONS

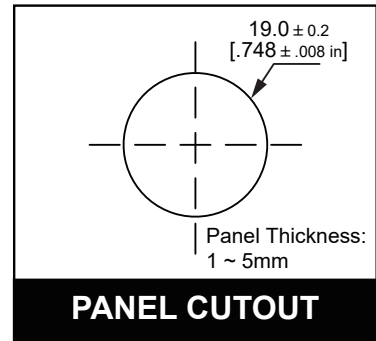
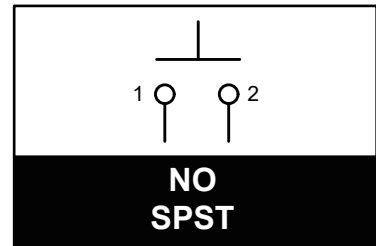


High-Current Anti Vandal Switch Ø19mm

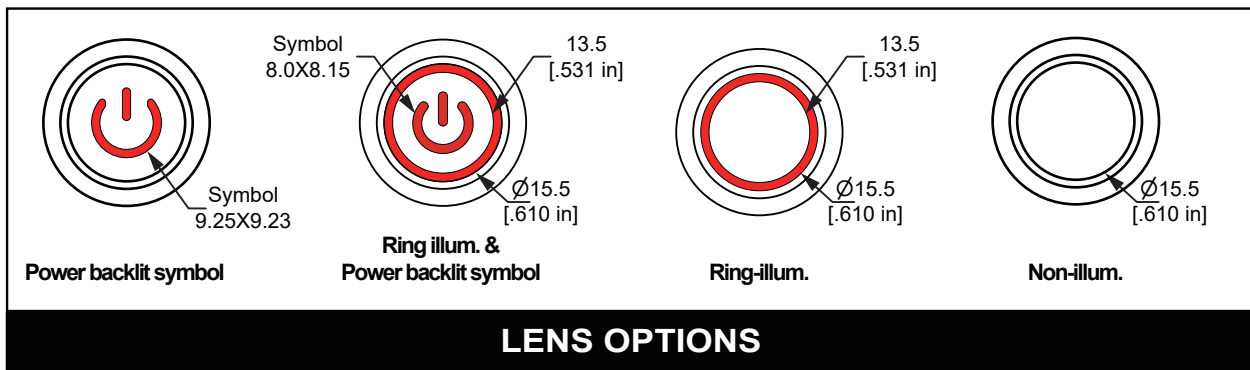
SOLDER LUG



NO = Normally open
Terminals (-) and (+) used with Illum. option only

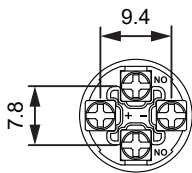
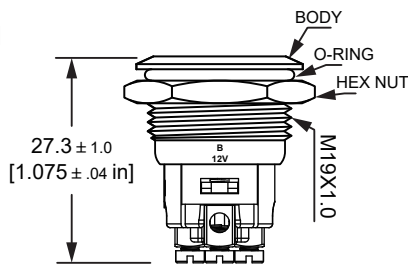
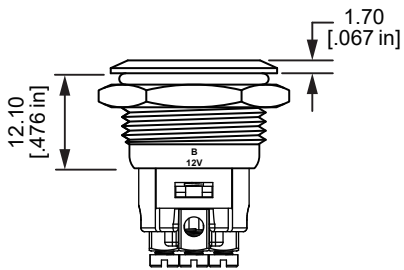
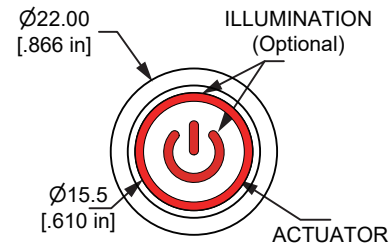


ILLUM. OPTIONS

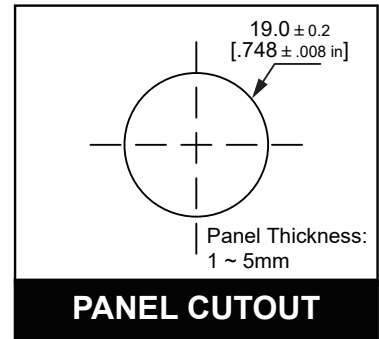
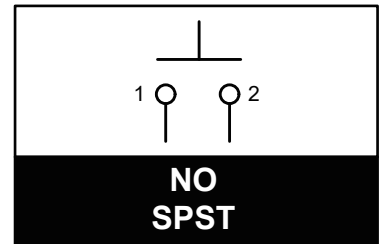


High-Current Anti Vandal Switch Ø19mm

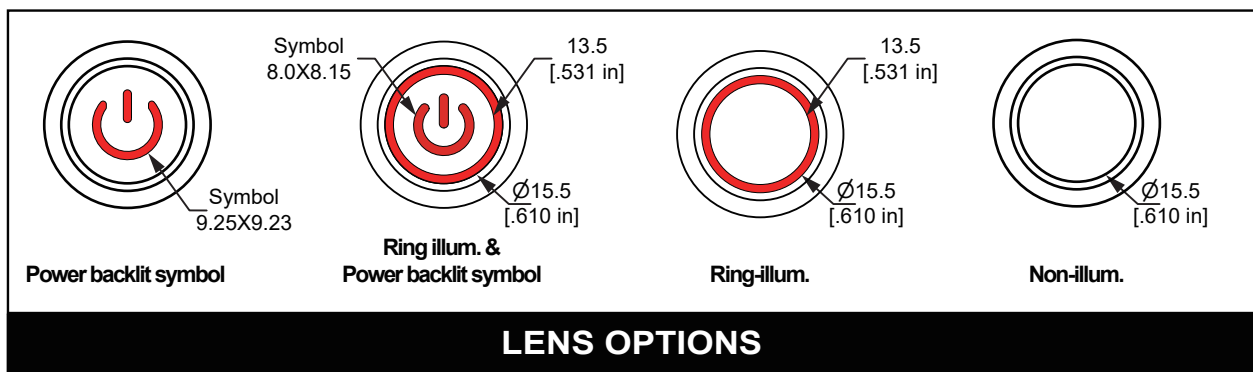
SCREW



NO = Normally open
Terminals (-) and (+) used with Illum. option only

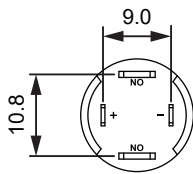


ILLUM. OPTIONS



High-Current Anti Vandal Switch Accessories

PLUG



NO = Normally open
Terminals (-) and (+) used with Illum. option only

